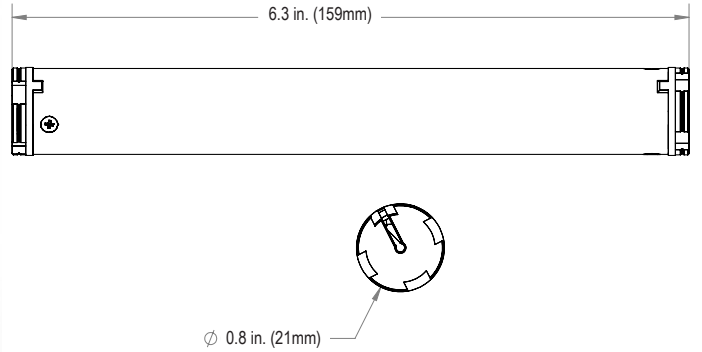


# AMP™ RECHARGEABLE BATTERY PACK

Inside Headrail Lithium Ion Rechargeable Battery Pack

Part # 62203100

dimensions

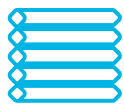


specifications

Input Volts	7.2V
Output Volts	7.2V
Capacity	2200mAh

Battery Size (LxWxH)	159mm x 21mm x 21mm
IP Rating	IP20
Temp Working Range	32°F to 104°F (0°C to 40°C)

applications & features and benefits



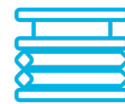
cellular/honeycomb standard



cellular/honeycomb skylight



cellular/honeycomb day/night



cellular/honeycomb tdbu

- Compatible with AMP TDBU, able to fit inside the headrail
- Rechargeable Li-ion battery pack, fully recharge in approximately 6 hours
- USB Charger Port
- Provides up to 500 up/down cycles on a single charge
- Battery health status reported in AMP™ APP

optional accessories



Battery Charger  
Part # 62205000

