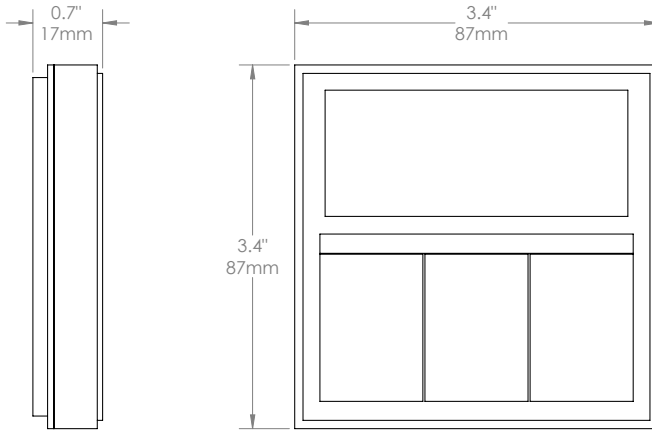


# AMP™ WALL SWITCH

RF 2W 15 Channel Surface Mounted Wall Switch  
Part # 62109000

dimensions



specifications

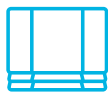
<b>Voltage</b>	3V (CR2430)
<b>Radio Frequency</b>	433.92 MHz Bi-directional
<b>Transmitting Power</b>	10 milliwatt
<b>Operating Temperature</b>	14°F to 122°F (-10°C to 50°C)

<b>RF Modulation</b>	FSK
<b>Lock Function</b>	Yes
<b>IP Rating</b>	IP20
<b>Transmission Distance</b>	up to 35m indoor; up to 200m outdoor

applications & features and benefits



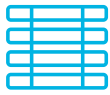
roller shade



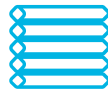
roman shade



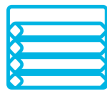
banded shade



tilt only horizontal



cellular/honeycomb standard



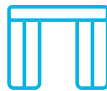
cellular/honeycomb skylight



drapery one way left stack



drapery one way right stack



drapery two way split stack



sheer shade



narrow width

- Up to 15 channels with 3V (CR2430) battery, magnetic holder included
- Channel 0 controls all shades assigned to wall switch; ability to hide extra channels
- Favorite position activated by quick touch of a button
- Locking feature prevent unwanted configuration changes